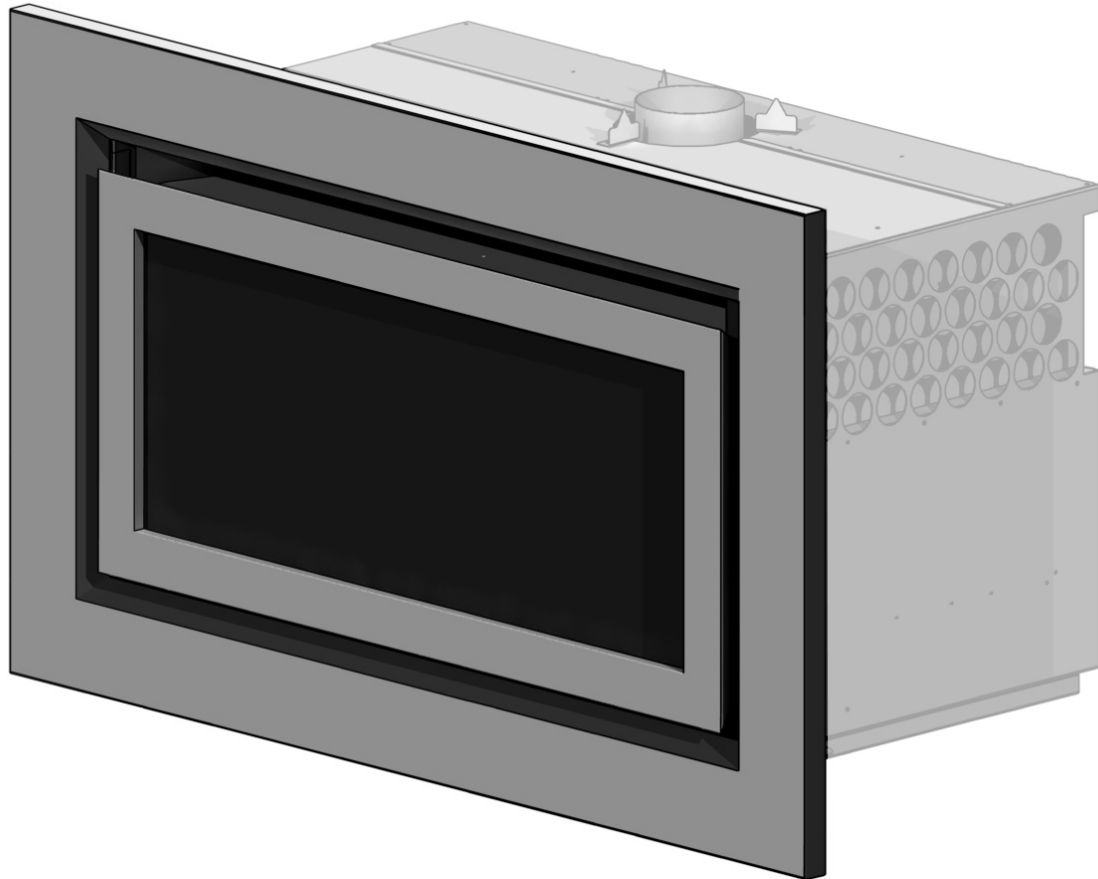




IB850, IB1100

Square Fascia Installation Manual

AUSTRALIAN EDITION



Important:

The appliance shall be installed in accordance with;

- This installation instruction booklet.
- Must be installed by a qualified person
- This Manual replaces section **21.0** of the IB Series Installation Manual

This appliance is not intended for use by young children or infirm persons unless they have been adequately supervised by a responsible person to ensure that they can use the appliance safely.

Young children should be supervised to ensure that they do not play with the appliance.

Manufactured by: Escea Ltd, PO Box 5277 Dunedin NZ, Ph: +64 3 479 0302, email: info@escea.net
For contact details of your local escea distributor or dealer please visit www.escea.net

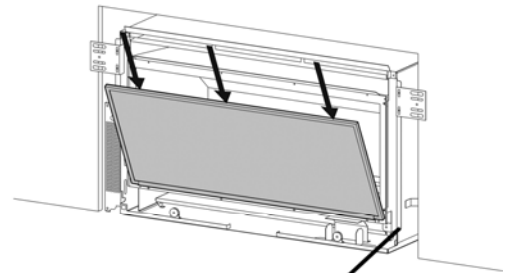
Fitting the Square Fascia Panels:

To avoid scratches or knocks to the fascia panels of this gas fireplace they must be fitted at the complete conclusion of the installation process. It may be necessary to use the Outer Fascia to initially locate the gas fireplace but then remove it again so that there is no chance of damage.

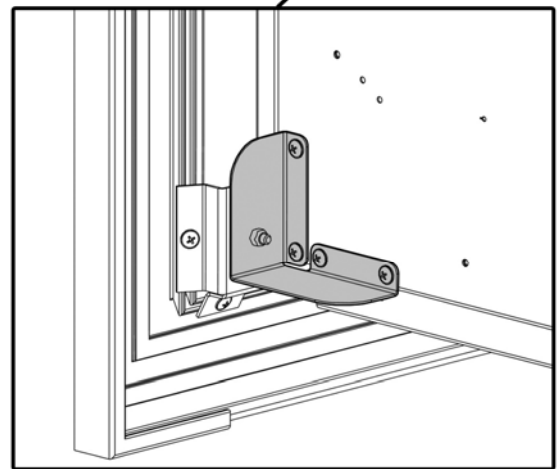
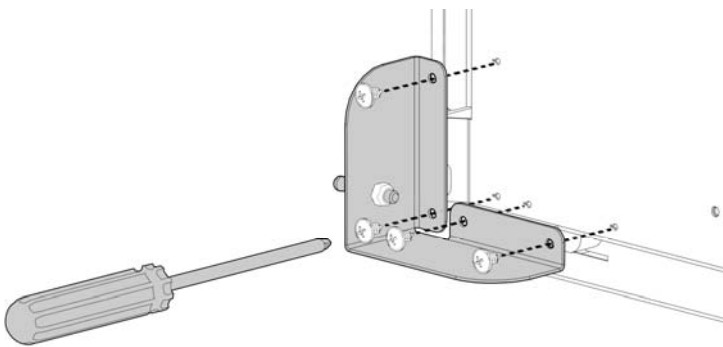
Note: Never Ever Rub the Fascia Panels.

Step 1: Replace the glass.

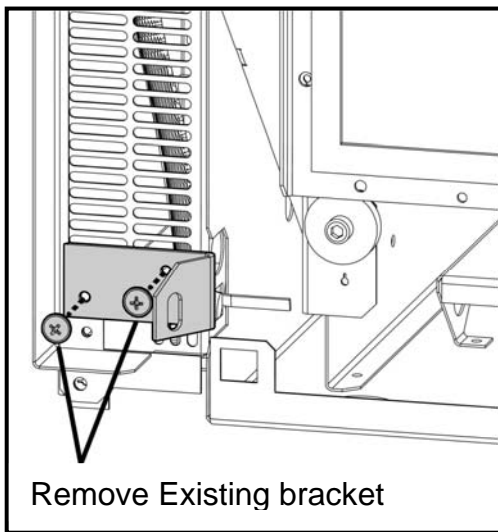
Note: If the glass gasket requires a replacement, call your nearest Escea agent who will ensure the part is replaced with the correct type. In the event that the glass is broken by impact, purchase the replacement from an authorised Escea agent only.



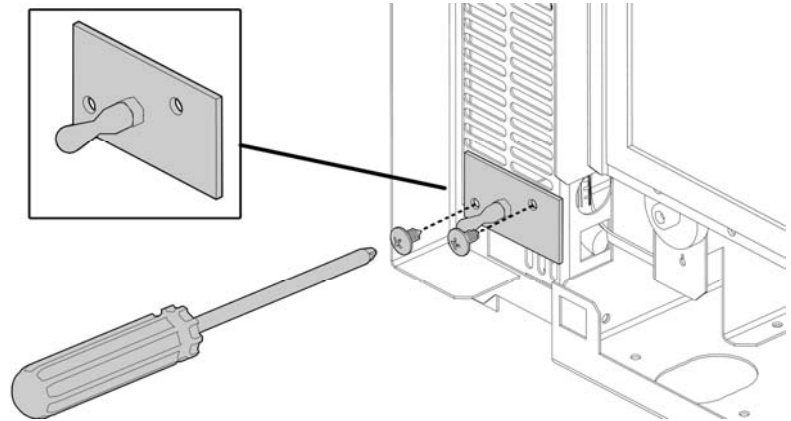
Step 2:



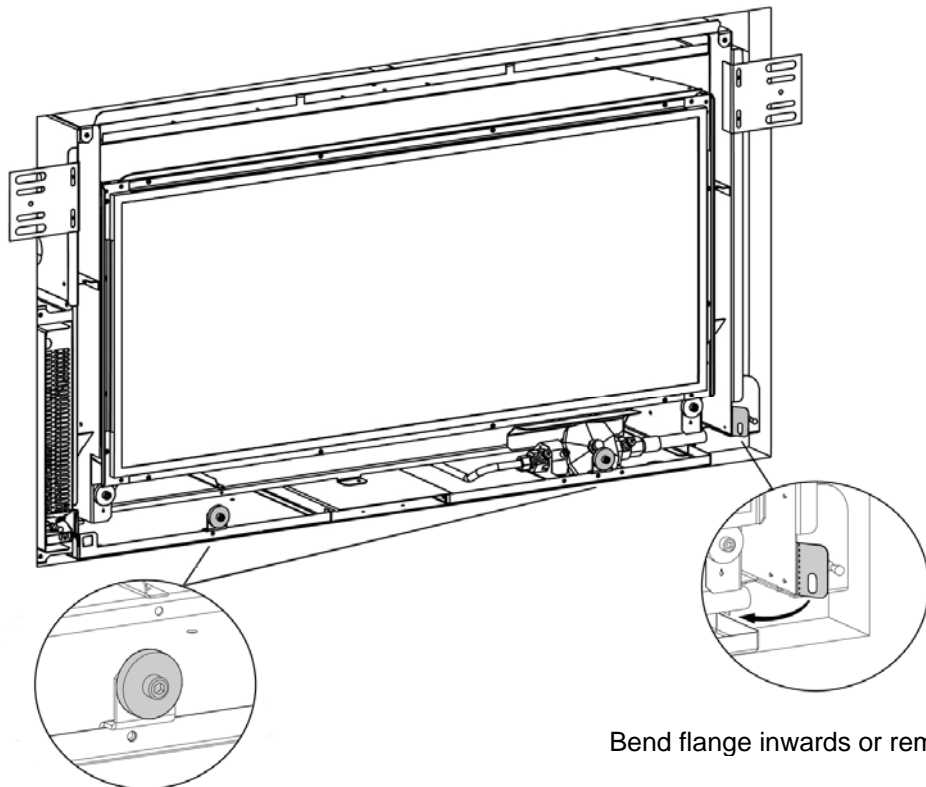
On the right hand outer side of the firebox there are four existing mounting holes, these are located at the front bottom corner. To fit the right hand fascia mounting bracket, align the part with the screw holes then screw in the four pozi-drive screws until tight. This added part will hold one of the male attachments for the fascia.

Step 3:

Remove Existing bracket



The next step in attaching the square fascia mounts, is to remove the existing left hand fascia bracket attached to the control box on the front left hand side of the firebox. Using a screwdriver, carefully screw out the two screws holding the left hand bracket in place. Remove this bracket. Replace with the new left hand fascia mounting bracket using the screws for the previous bracket, these holes will line up with the previous screw holes.

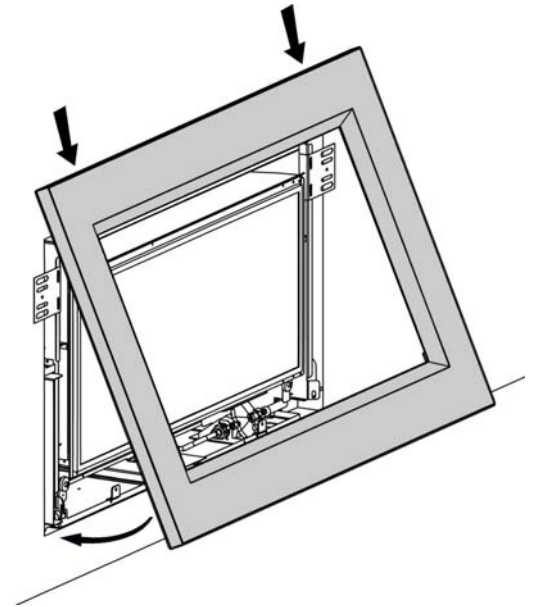
Step 4:

Remove magnets and bolt.

Bend flange inwards or remove.

For the Outer Fascia to fit correctly, the two existing lower magnets and fixings must be removed. The fascia mounting flanges must also be modified. To do this, bend the flange towards the center of the fire, making sure it is clear from the outer fascia when fitted.

Step 5: Hang the Outer Fascia (larger one) from the 45 degree flange at the top of the firebox. Once the Fascia is hung on this flange it will swing down and clip into place. Once it has clipped onto the firebox the Fascia should be parallel with the wall.



Step 6: Attach the Inner Fascia Brackets to the bottom of the Inner Fascia (smaller one) as per the diagram supplied with the Inner Fascia. Hang the top edge of the Inner Fascia from the lip that extends at 45 degrees from the top of the firebox. Be very careful not to damage the powdercoating on the Outer Fascia. This fascia is fixed at its base by two screws. Leave the screws loose enough to be able to adjust the Inner Fascia.

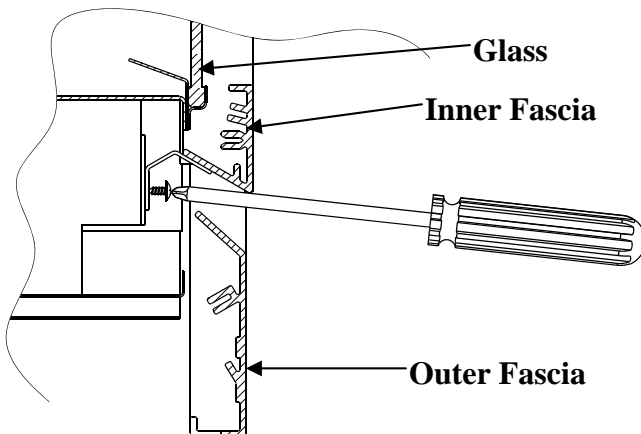
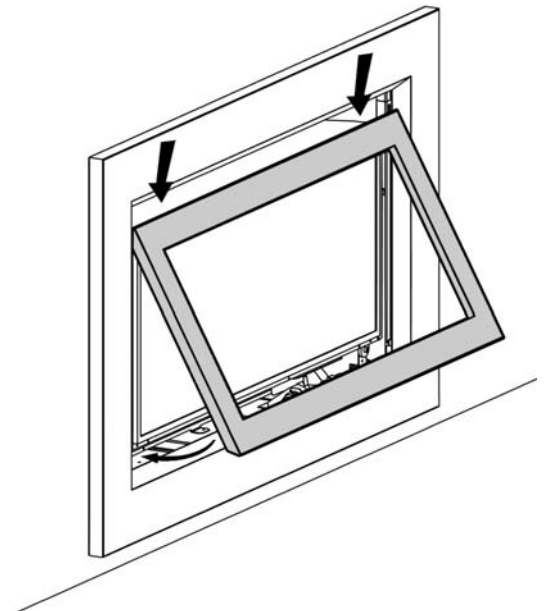


Diagram illustrates a cut through section of fire

Step 7: Check that the Inner Fascia is centered. If this panel is not centered, adjust the Inner Fascia side to side until the spaces on either side are even. Tighten the screws to fix the Inner Fascia in place.

